

*Only compatible with U1 function*

## 1 INSTRUCTIONS AND RECOMMENDATIONS



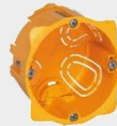
Switch off the mains before commencing any work



Strip the wires back for about 12mm  
Mechanisms with screw terminals



Installation by a person with the appropriate skills.



For single units, use casings 50mm deep, diameter 67 or 68mm

## 2 WIRING AND TECHNICAL INFORMATION

 **N** neutral – blue cable

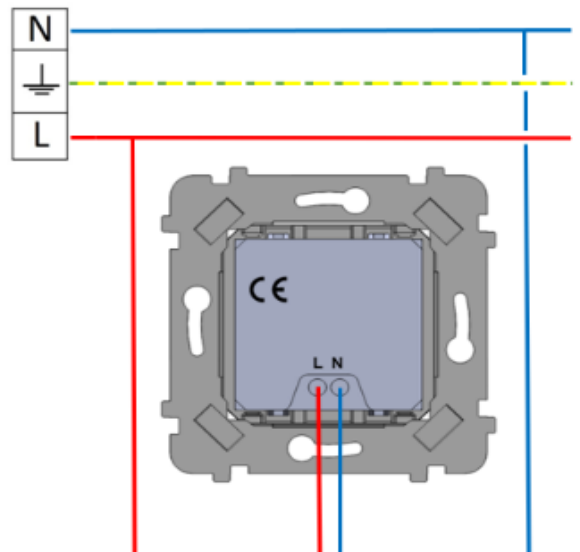
 **L** phase – red cable

  earth – green/yellow cable



Technical characteristics:

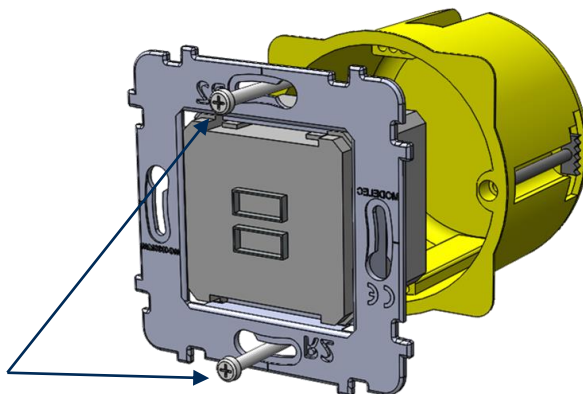
	A + A	A + C
<b>Input</b>	230V~ 50/60Hz 0.2A	
<b>Output</b>	5.0VDC Total max. 3.0A	
<b>Output power</b>	15.0W	
<b>No-load consumption</b>	0.06W	
<b>Operating temperature</b>	-5 to +35°C	
<b>Protection indices</b>	IP20 - IK04	
<b>Connection capacity</b>	1x2.5mm <sup>2</sup> 2x1.5mm <sup>2</sup>	



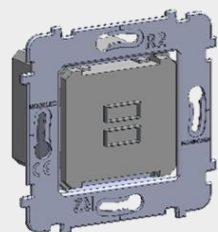
## 3 FITTING

After wiring according to the instructions, place the mechanism in the flush-mount box and screw on the plate according to the diagram opposite.

Screws supplied with the flush-mount box.



## 4 TABLE OF RELEVANT REFERENCES

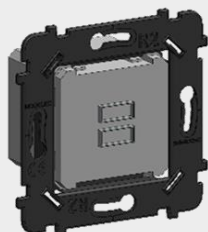


### Reference and description:

087-510G S USB CHARGER A+A  
087-511G S USB CHARGER A+C

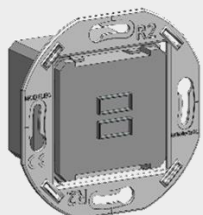
### Compatible with:

Confidence and Fascination  
Collection



087-510B S USB CHARGER A+A  
087-511B S USB CHARGER A+C

Désir, Karo and Hitera Collection



087-510W S USB CHARGER A+A  
087-511W S USB CHARGER A+C

Iris Collection

## 5 CERTIFICATIONS

Compliant with directives: EN62368-1 / EN60669-2-1 / EN6100-6-1 / EN6100-6-3 DIR. 2014/30/EU/DIR. 2014-35/EU

